

**HEAVY RESCUE VEHICLE**  
 CUSTOM DESIGNED FOR  
**HAGAMAN FIRE DEPARTMENT**  
**HAGAMAN, NY**  
 BY RESCUE 1

NOTES:  
 1. DRAWINGS ARE FOR REPRESENTATIONAL PURPOSES ONLY.  
 2. ALL DIMENSIONS ARE APPROXIMATE.  
 3. COMPARTMENT DIMENSIONS REPRESENT WALL TO WALL MEASUREMENTS. PASS THROUGH OPENING WILL BE SMALLER.  
 4. ALL DIMENSIONS FOR OVERALL HEIGHT AND OVERALL LENGTH ARE APPROXIMATE UNTIL THE CHASSIS IS BUILT AND RECEIVED AT OUR FACTORY.

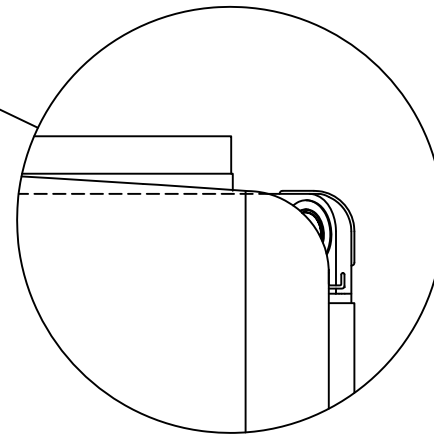
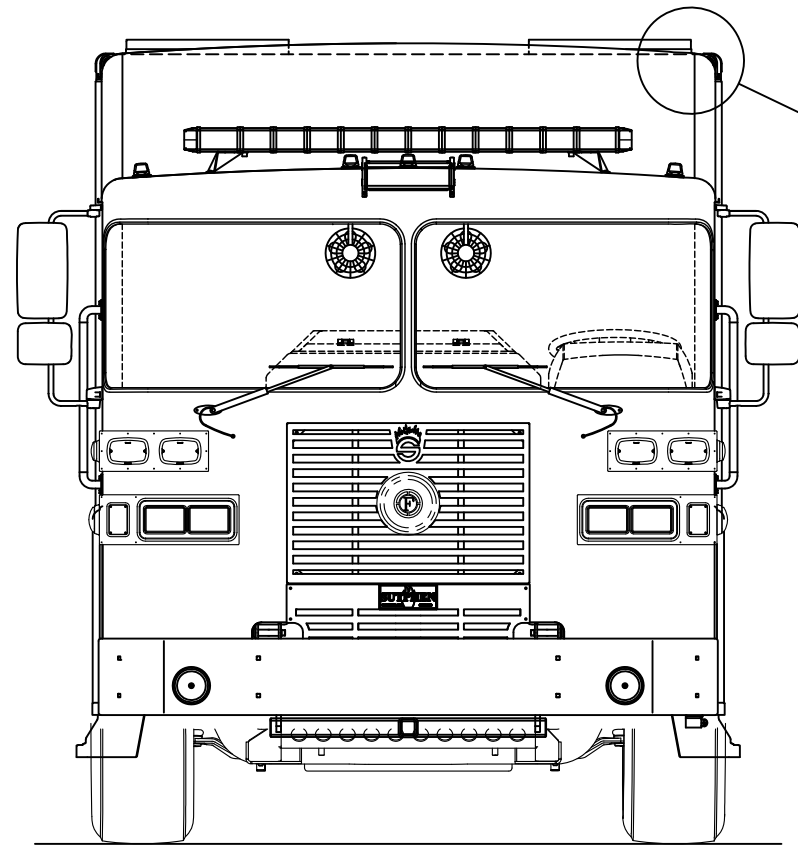
REV	QW #	DATE	DRAWN BY	APPROVED BY
G	0008	XX-XX-XX	DP	
F	0007	08-12-21	RAR	
E	0005	03-16-21	ACM	
D	0005	02-23-21	RAR	
C	0004	01-06-21	RAR	
B	0003	11-25-20	DP	
A	0002	10-1-20	RAR	
REV	QW #	DATE	DRAWN BY	APPROVED BY

REVISIONS

"NOTICE"  
 THIS DRAWING AND DATA THEREON SHALL NOT BE DUPLICATED, USED OR DISCLOSED TO OTHERS FOR PROCUREMENT OR MANUFACTURING PURPOSES, EXCEPT AS OTHERWISE AUTHORIZED BY CONTRACT, WITHOUT WRITTEN PERMISSION OF P.L. CUSTOM BODY & EQUIPMENT CO., LLC. WE RESERVE THE RIGHT TO MAKE CHANGES AT ANY TIME, WITHOUT NOTICE. IN MATERIALS, EQUIPMENT & SPECIFICATIONS, WRITTEN SPECIFICATIONS TAKE PRECEDENCE OVER DRAWINGS WHICH ARE FOR CLARITY ONLY. ALL REPRODUCTIONS SHALL BEAR THIS NOTICE.

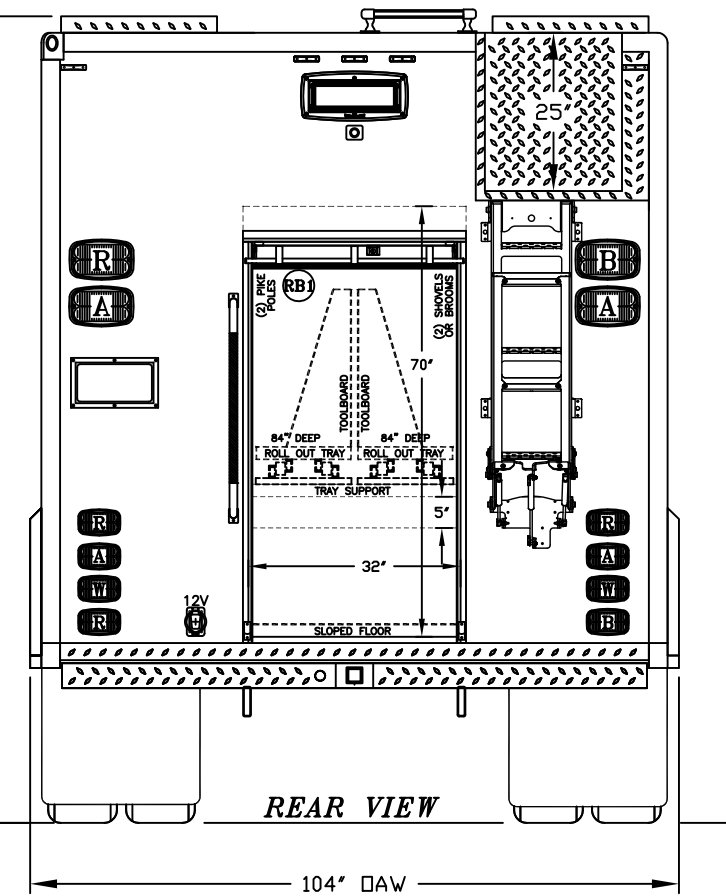


TITLE		HEAVY RESCUE VEHICLE	
CUSTOMER		HAGAMAN FIRE DEPARTMENT	
VEHICLE TYPE			
FORM #		THIS DRAWING MADE FROM	
DO NOT SCALE DRAWING			
DRAWN	ROGER RITTER	DATE	8-24-20
APP'D		DATE	
SCALE	3/4" = 1'-0"	SHEET	1 OF 3
JOB #	R356	DWG	R5262



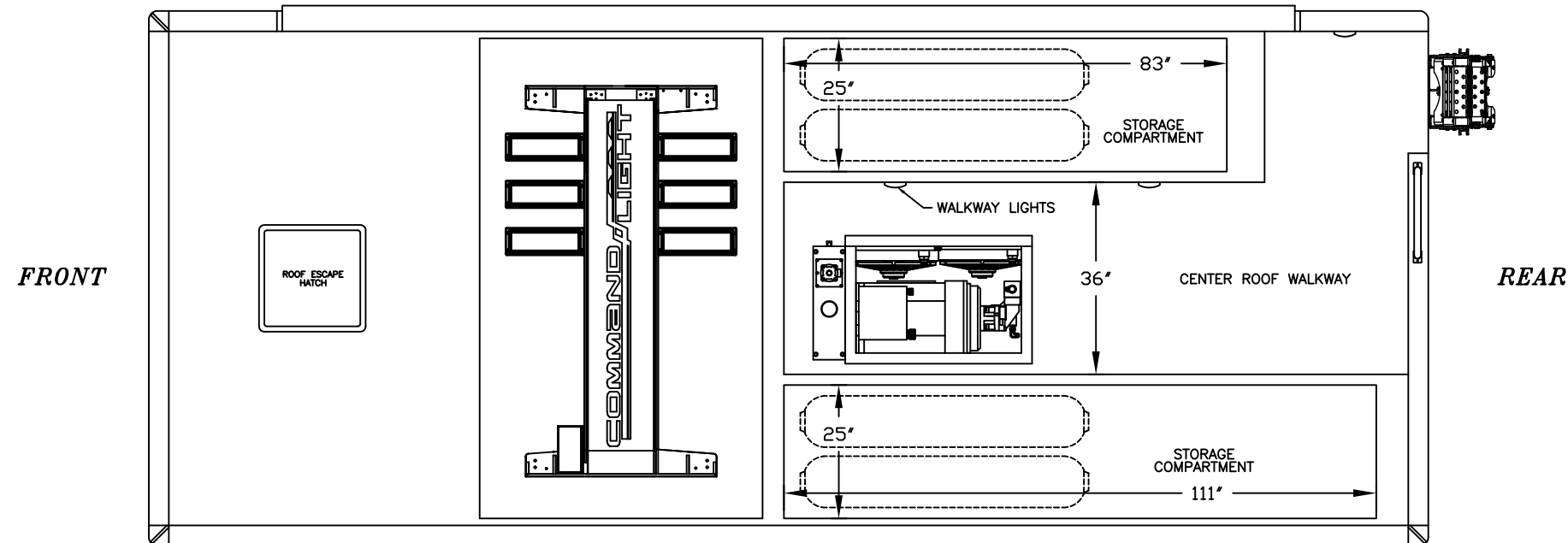
MAY VARY SLIGHTLY DUE TO CHASSIS BUILD TOLERANCES

10'-10" OAH



REAR VIEW

104" OAW



ROOF VIEW

**HEAVY RESCUE VEHICLE**  
 CUSTOM DESIGNED FOR  
**HAGAMAN FIRE DEPARTMENT**  
**HAGAMAN, NY**  
 BY RESCUE 1

NOTES:  
 1. DRAWINGS ARE FOR REPRESENTATIONAL PURPOSES ONLY.  
 2. ALL DIMENSIONS ARE APPROXIMATE.  
 3. COMPARTMENT DIMENSIONS REPRESENT WALL TO WALL MEASUREMENTS. PASS THROUGH OPENING WILL BE SMALLER.  
 4. ALL DIMENSIONS FOR OVERALL HEIGHT AND OVERALL LENGTH ARE APPROXIMATE UNTIL THE CHASSIS IS BUILT AND RECEIVED AT OUR FACTORY.

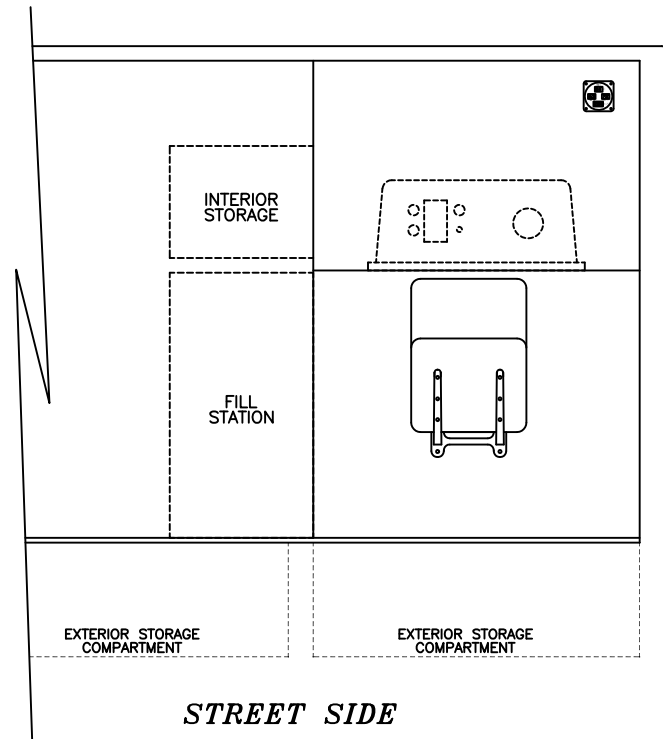
REV	QW #	DATE	DRAWN BY	APPROVED BY
G	0008	XX-XX-XX	DP	
F	0007	08-12-21	RAR	
E	0005	03-16-21	ACM	
D	0005	02-23-21	RAR	
C	0004	01-06-21	RAR	
B	0003	11-25-20	DP	
A	0002	10-1-20	RAR	

REVISIONS				

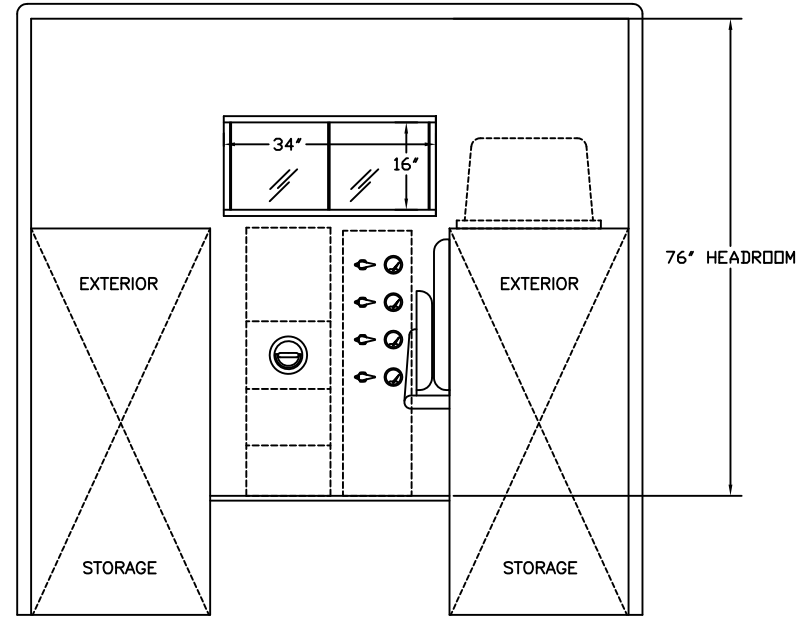
NOTICE:  
 THIS DRAWING AND DATA THEREON SHALL NOT BE DUPLICATED, USED OR DISCLOSED TO OTHERS FOR PROCUREMENT OR MANUFACTURING PURPOSES, EXCEPT AS OTHERWISE AUTHORIZED BY CONTRACT, WITHOUT WRITTEN PERMISSION OF P.L. CUSTOM BODY & EQUIPMENT CO., LLC. WE RESERVE THE RIGHT TO MAKE CHANGES AT ANY TIME, WITHOUT NOTICE. IN MATERIALS, EQUIPMENT & SPECIFICATIONS, WRITTEN SPECIFICATIONS TAKE PRECEDENCE OVER DRAWINGS WHICH ARE FOR CLARITY ONLY. ALL REPRODUCTIONS SHALL BEAR THIS NOTICE.



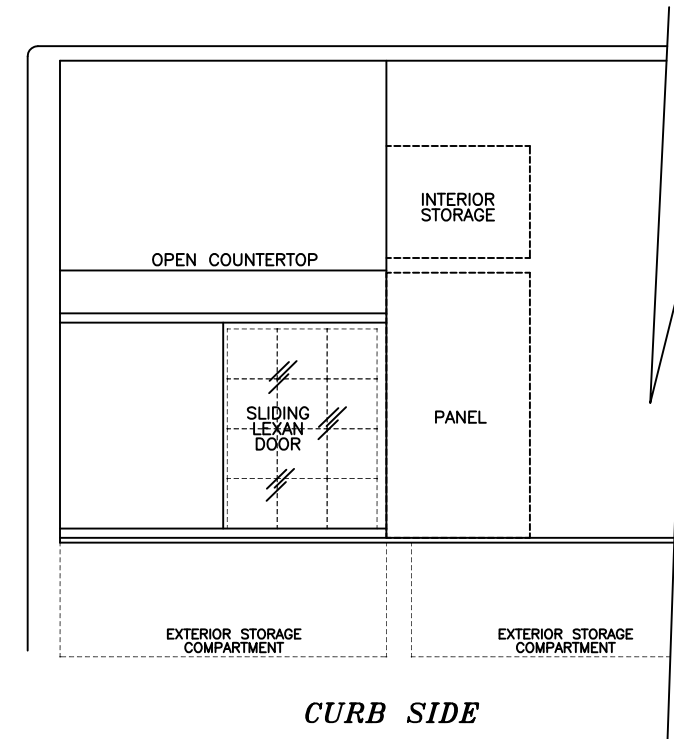
TITLE		HEAVY RESCUE VEHICLE	
CUSTOMER	HAGAMAN FIRE DEPARTMENT		
VEHICLE TYPE	-		
FORM #	THIS DRAWING MADE FROM		REV#
DO NOT SCALE DRAWING			
DRAWN	ROGER RITTER	DATE	8-24-20
APP'D		DATE	
SCALE	3/4" = 1'-0"	SHEET	2 OF 3
JOB #	R356	DWG	R5262



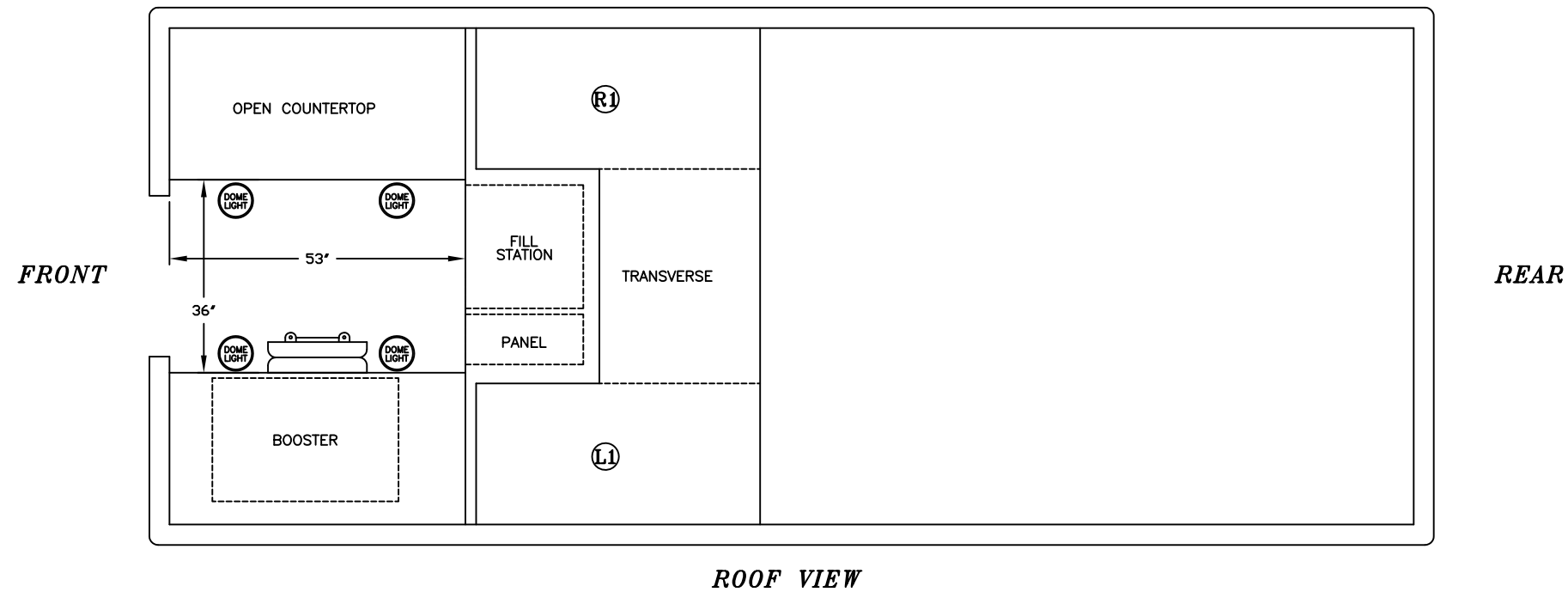
**STREET SIDE**



**REAR VIEW**



**CURB SIDE**



**HEAVY RESCUE VEHICLE**  
 CUSTOM DESIGNED FOR  
**HAGAMAN FIRE DEPARTMENT**  
**HAGAMAN, NY**  
 BY RESCUE 1

- NOTES:**
1. DRAWINGS ARE FOR REPRESENTATIONAL PURPOSES ONLY.
  2. ALL DIMENSIONS ARE APPROXIMATE.
  3. COMPARTMENT DIMENSIONS REPRESENT WALL TO WALL MEASUREMENTS. PASS THROUGH OPENING WILL BE SMALLER.
  4. ALL DIMENSIONS FOR OVERALL HEIGHT AND OVERALL LENGTH ARE APPROXIMATE UNTIL THE CHASSIS IS BUILT AND RECEIVED AT OUR FACTORY.

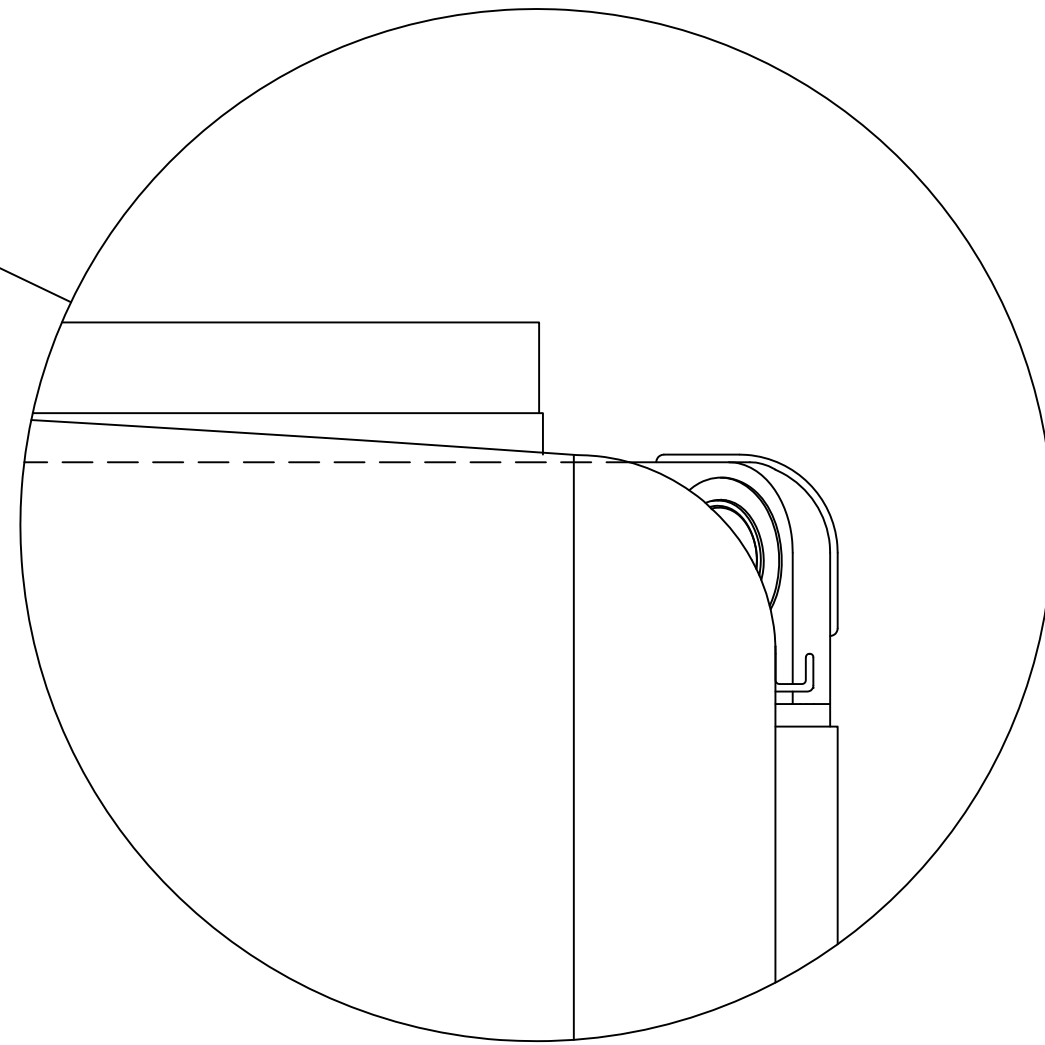
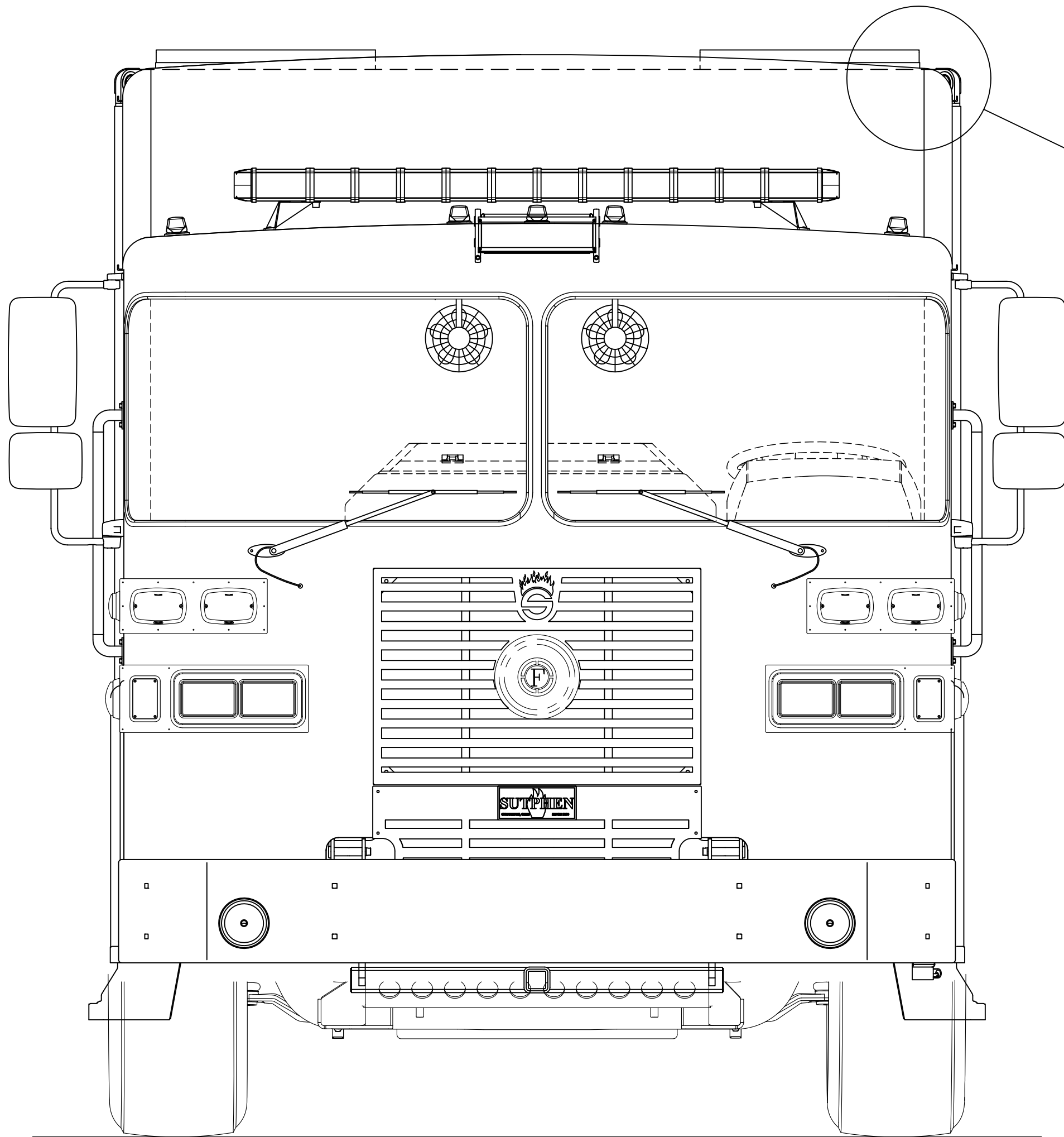
REV	QW #	DATE	DRAWN BY	APPROVED BY
G	0008	XX-XX-XX	DP	
F	0007	08-12-21	RAR	
E	0005	03-16-21	ACM	
D	0005	02-23-21	RAR	
C	0004	01-06-21	RAR	
B	0003	11-25-20	DP	
A	0002	10-1-20	RAR	

**REVISIONS**

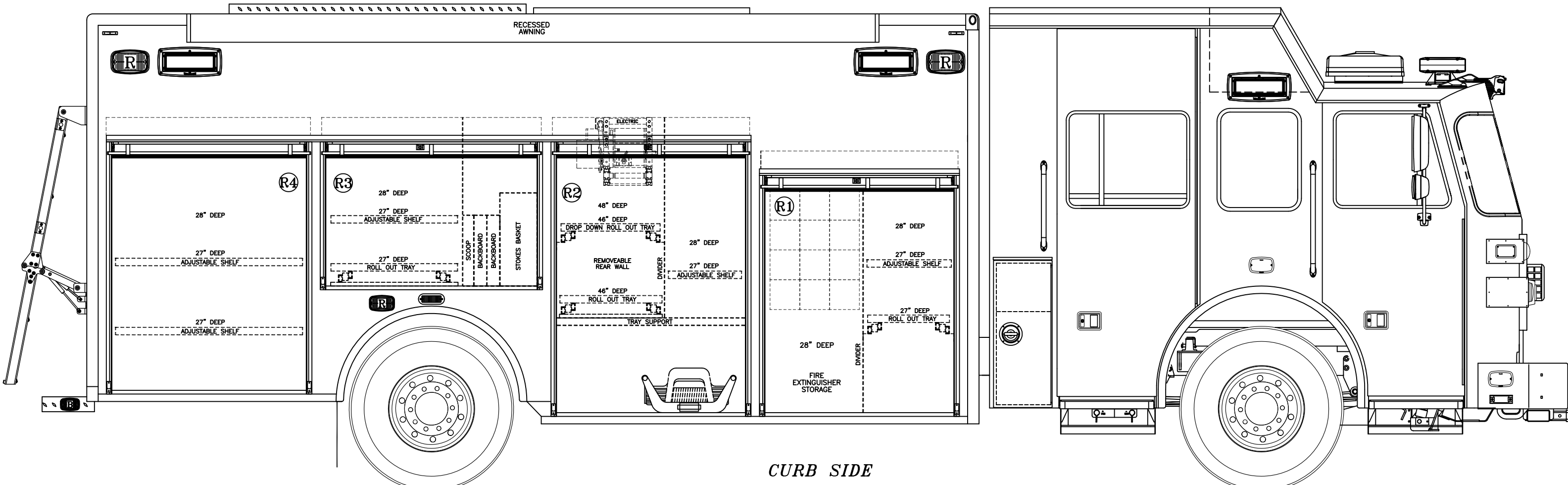
**NOTICE:**  
 THIS DRAWING AND DATA THEREON SHALL NOT BE DUPLICATED, USED OR DISCLOSED TO OTHERS FOR PROCUREMENT OR MANUFACTURING PURPOSES, EXCEPT AS OTHERWISE AUTHORIZED BY CONTRACT, WITHOUT WRITTEN PERMISSION OF P.L. CUSTOM BODY & EQUIPMENT CO., LLC. WE RESERVE THE RIGHT TO MAKE CHANGES AT ANY TIME, WITHOUT NOTICE. IN MATERIALS, EQUIPMENT & SPECIFICATIONS, WRITTEN SPECIFICATIONS TAKE PRECEDENCE OVER DRAWINGS WHICH ARE FOR CLARITY ONLY. ALL REPRODUCTIONS SHALL BEAR THIS NOTICE.

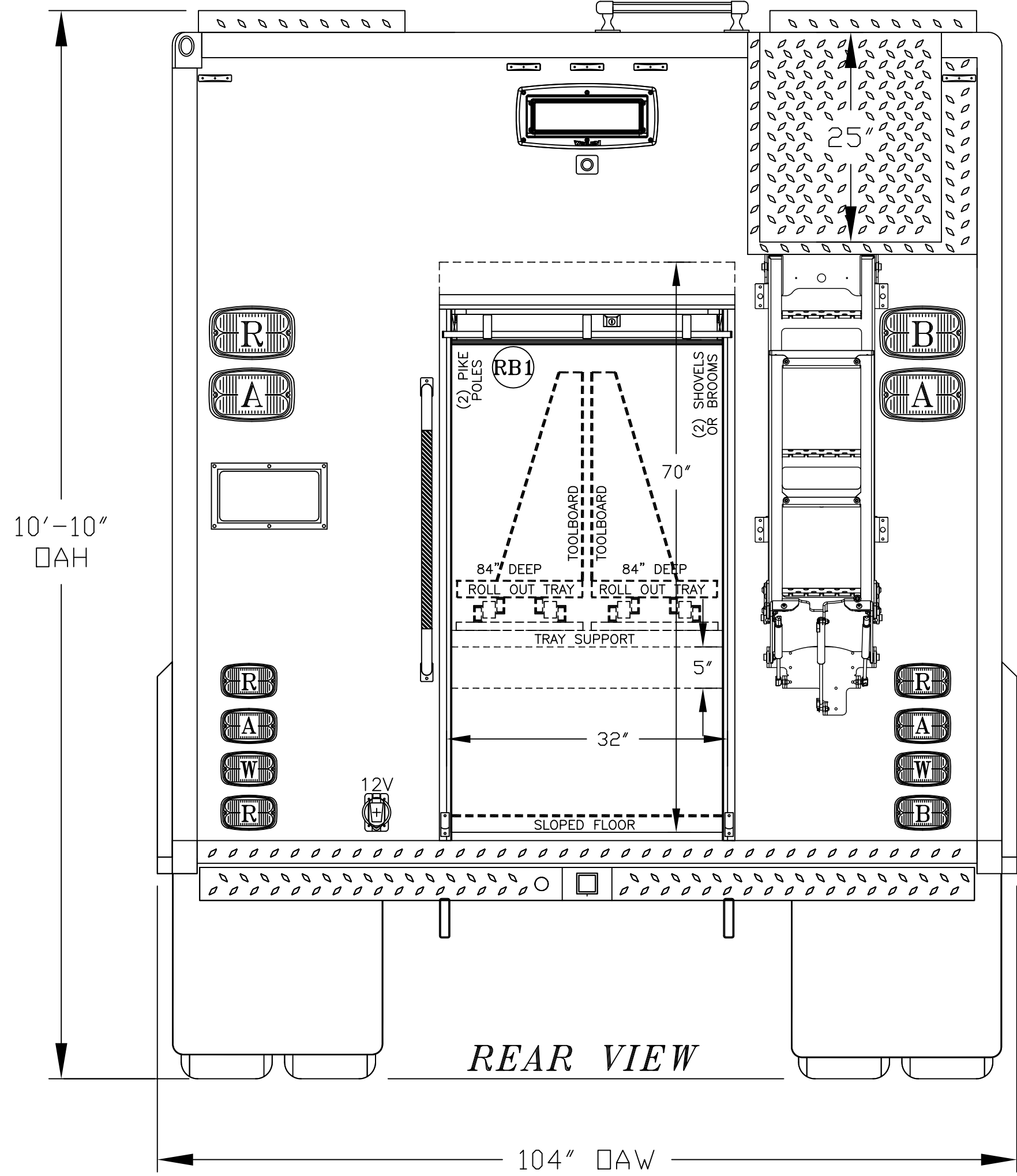


TITLE		HEAVY RESCUE VEHICLE	
CUSTOMER		HAGAMAN FIRE DEPARTMENT	
VEHICLE TYPE		-	
FORM #		THIS DRAWING MADE FROM	
DO NOT SCALE DRAWING		REV: -	
DRAWN	ROGER RITTER	DATE	8-24-20
APP'D	-	DATE	-
SCALE	3/4" = 1'-0"	SHEET	3 OF 3
JOB #	R356	DWG	R5262



MAY VARY SLIGHTLY DUE TO  
CHASSIS BUILD TOLERANCES

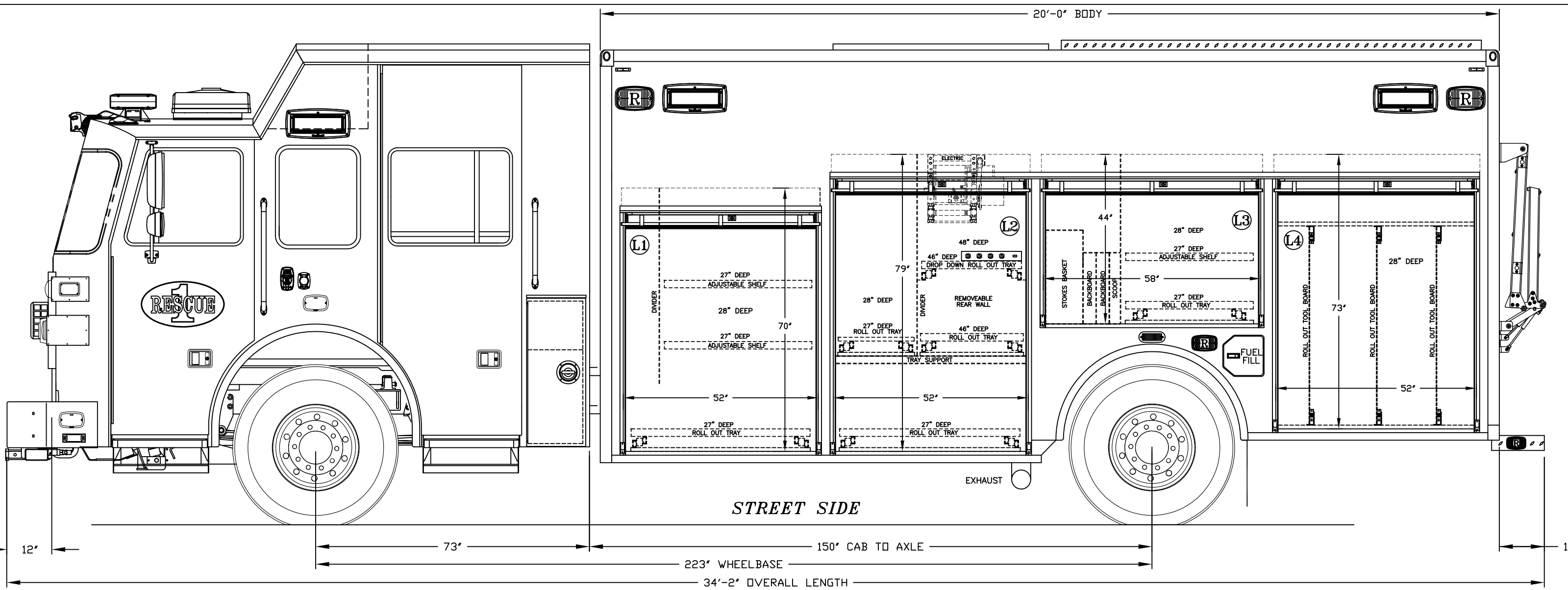




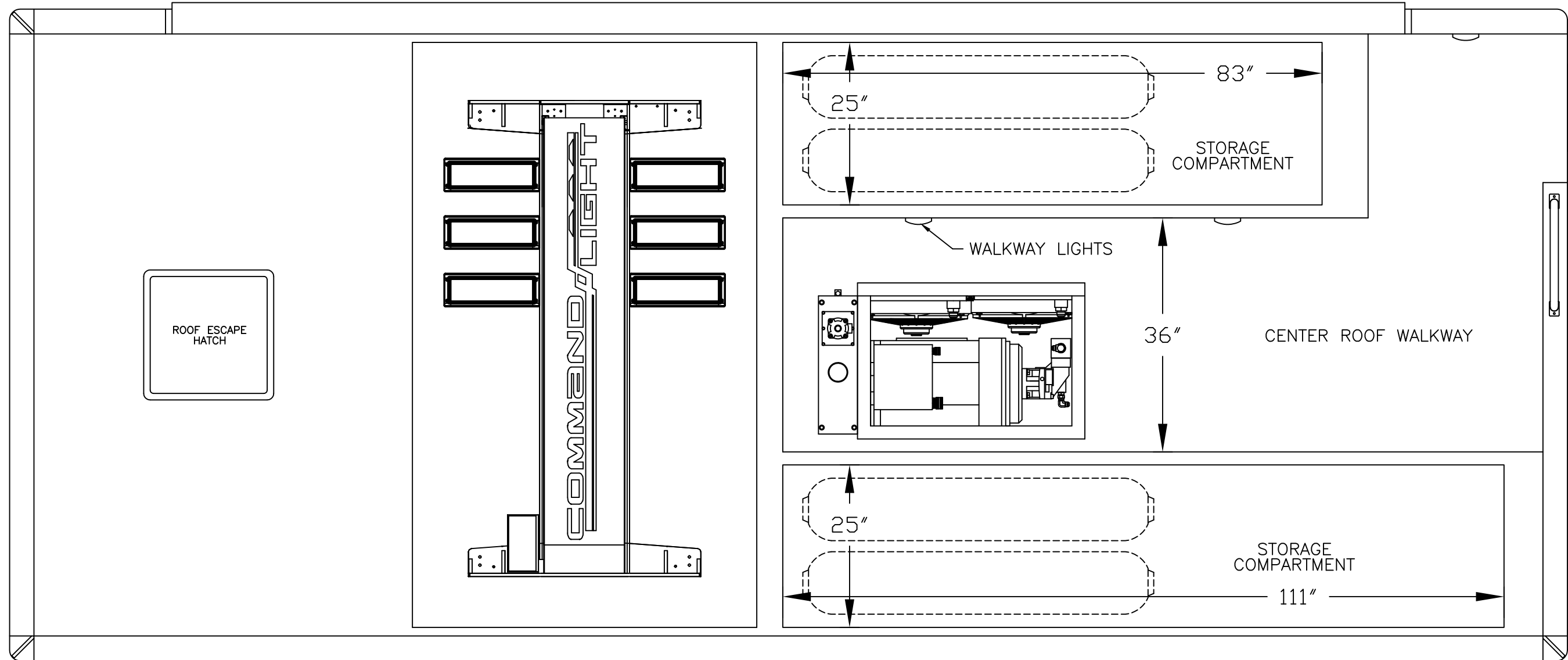
*REAR VIEW*

104" AW

10'-10"  
AH



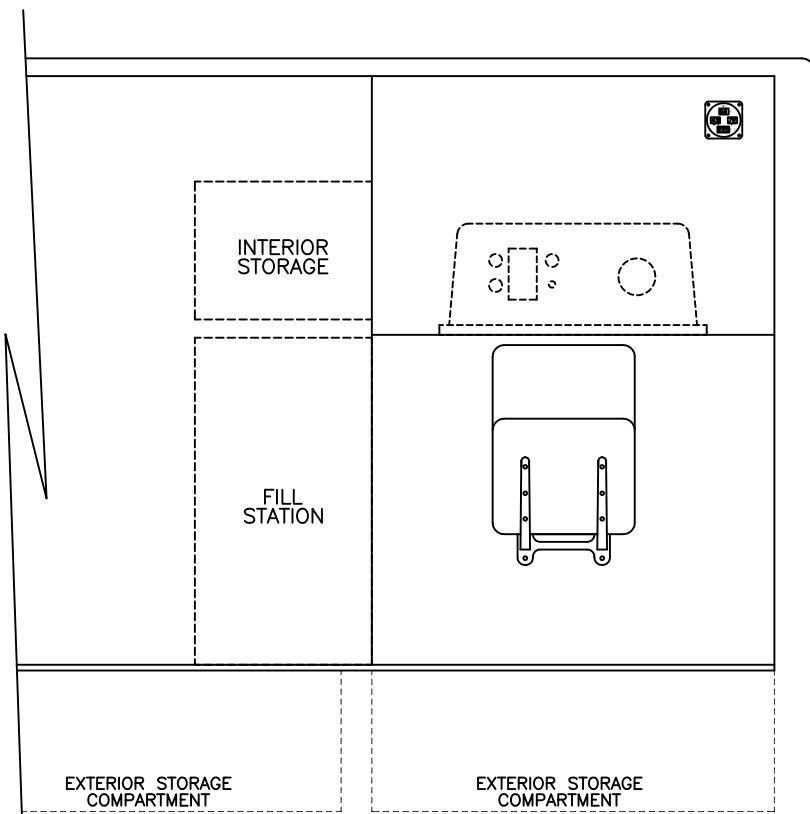
*FRONT*



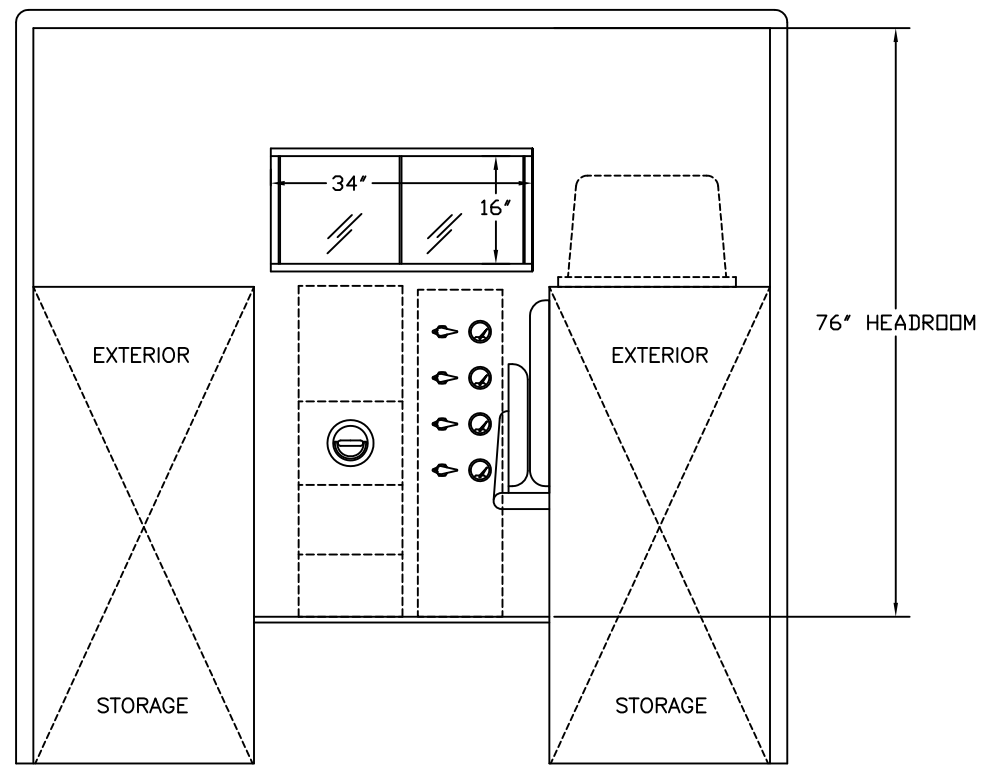
*REAR*

*ROOF VIEW*

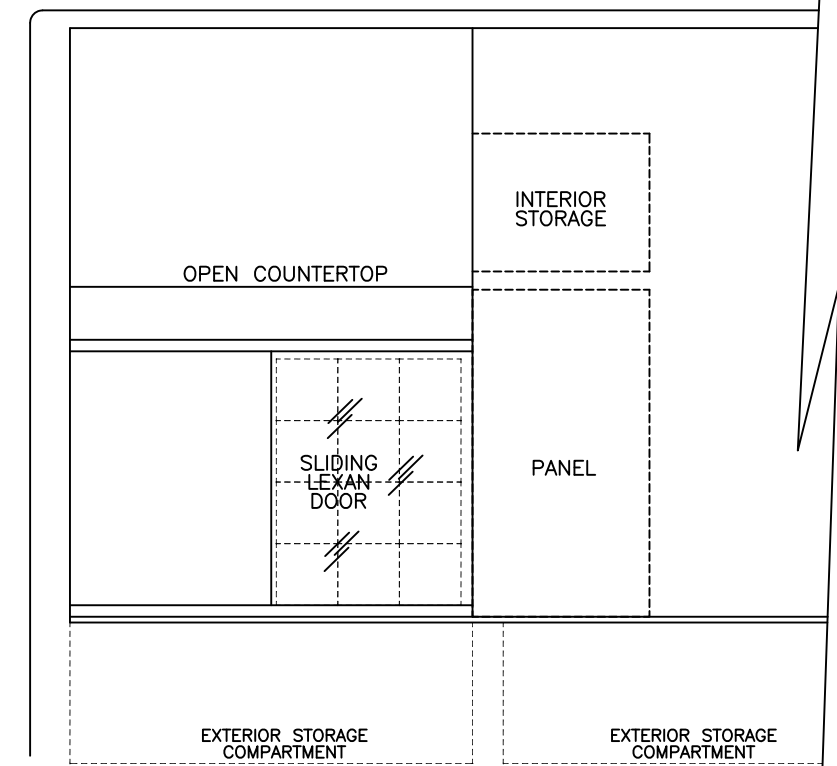




*STREET SIDE*



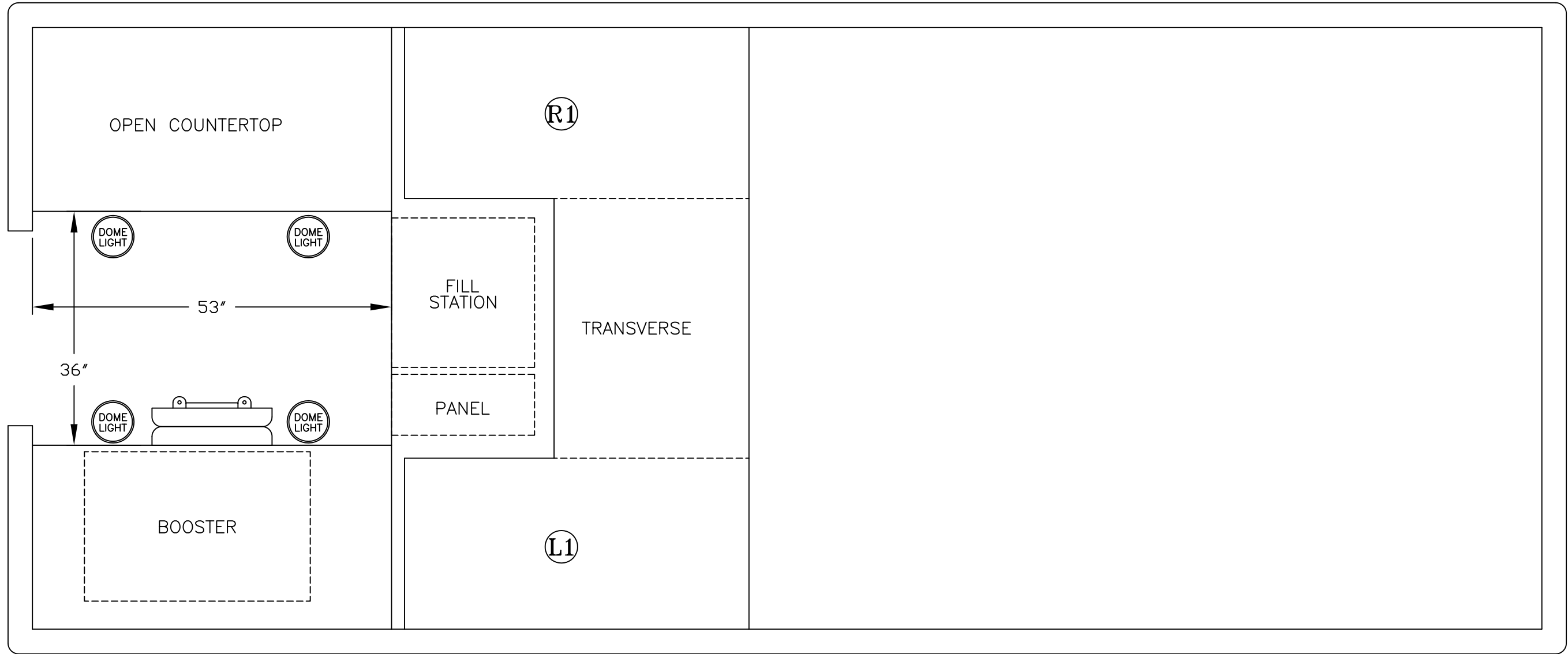
*REAR VIEW*



*CURB SIDE*

*FRONT*

*REAR*



*ROOF VIEW*